

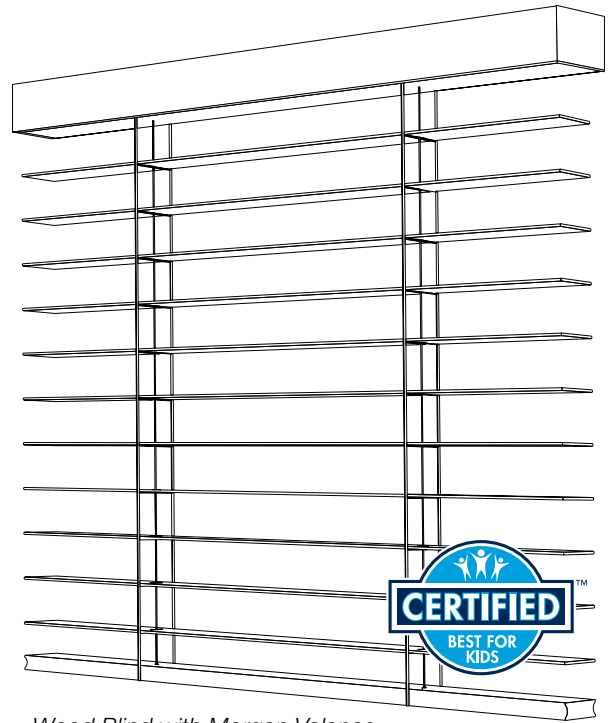
Serena Wood Blinds

Triathlon Wood Blinds

Wood Blinds are operated by quiet, precision control drives. The Electronic Drive Unit (EDU) is housed in the headrail and provides independent control of tilt. Tilt angle can be stored as a preset and recalled with the touch of a button. Cordless manual lift and lower allows the blind to be positioned at any height.

Features

- Single blinds available in widths up to 72 in (1829 mm), and heights up to 72 in (1829 mm)
- System width up to 96 in (2434 mm) possible when configured as 2 blinds under one valance
- Provides maximum window coverage with the smallest possible light gaps; 1/4 in (6 mm) from slat ends to the window frame
- Tilt can be adjusted to vary the privacy/view level at any blind position
- Slats go to a pre-determined tilt angle when a stored preset is recalled
- Multiple presets can be defined for the same blind or group of blinds
- A wide variety of slat finishes are available; paints and stains
- 2 optional valance styles are available
- Simple installation for both inside mount and outside mount applications
- Low-profile mounting brackets and EDU controls minimize light gap at the top of the headrail
- Blind components are designed for ultra-quiet operation (tilt operation will not exceed 44 dBA measured 3 ft [1 m] from EDU)
- Battery-powered, wired power, and manual tilt models available
- The EDU maintains consistent tilt speed throughout the battery life cycle by monitoring battery voltage and compensating for variations in the mechanical load
- Built-in wireless communication using ClearConnect Type A technology, providing control range of 30 ft (9 m)
- May be used in stand-alone applications with handheld Pico wireless remote control or the Lutron 4-Group blind wireless remote control
- Serena blinds are compatible with Caséta Wireless systems
- Triathlon blinds are compatible with RA2 Select and Caséta Pro systems



Wood Blind with Morgan Valance

Safety

- Fully compliant with WCMA safety guidelines for window treatments

Regulatory

- cULus Listed
- FCC (USA)
- IC (Canada)

Ratings

- Operating voltage: Low-voltage Class 2 or equivalent, 6-12 V^{DC}
- Power supply provides surge and Electro Static Discharge (ESD) protection for all devices in the system
- Power must be derived from a Lutron approved NEC® Class 2 power source
- Operating wattage: 5 W
- Tilt Speed: 68.5°/Second

Environment

- Temperature: 30 °F to 104 °F (0 °C to 40 °C)
- For indoor use only
- Relative Humidity: <90% non-condensing

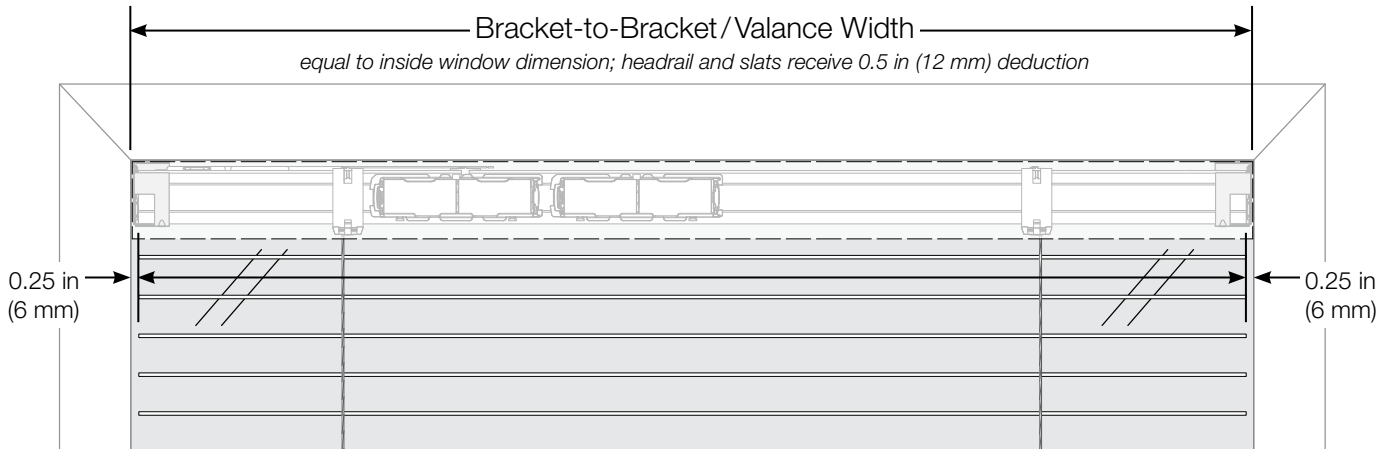
Job Name:

Model Numbers:

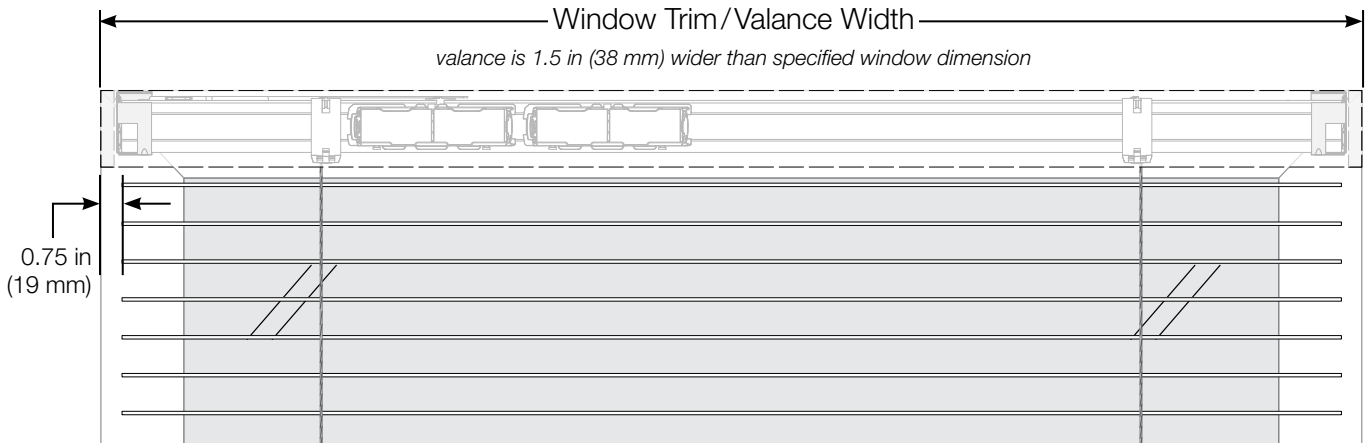
Job Number:

Dimensions

Installed Blind (inside mount)

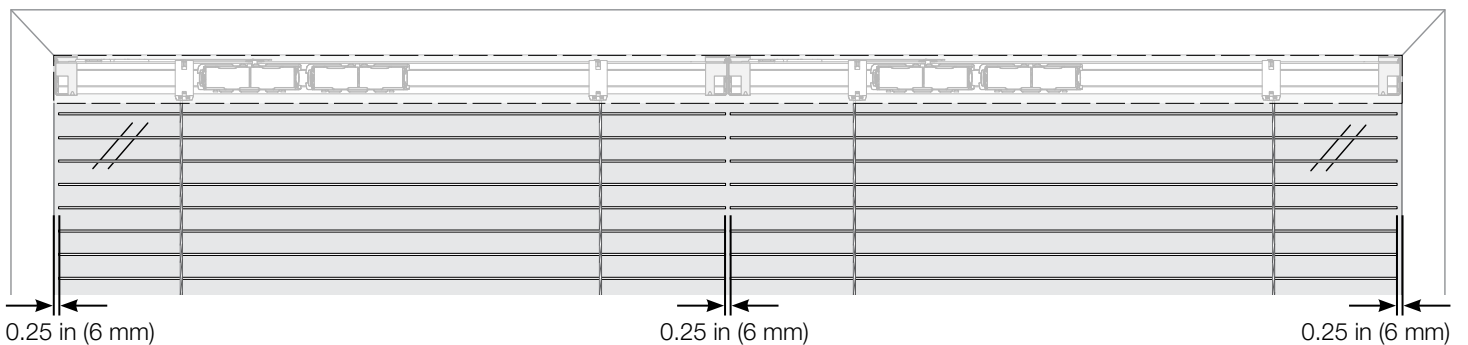


Installed Blind (outside mount)



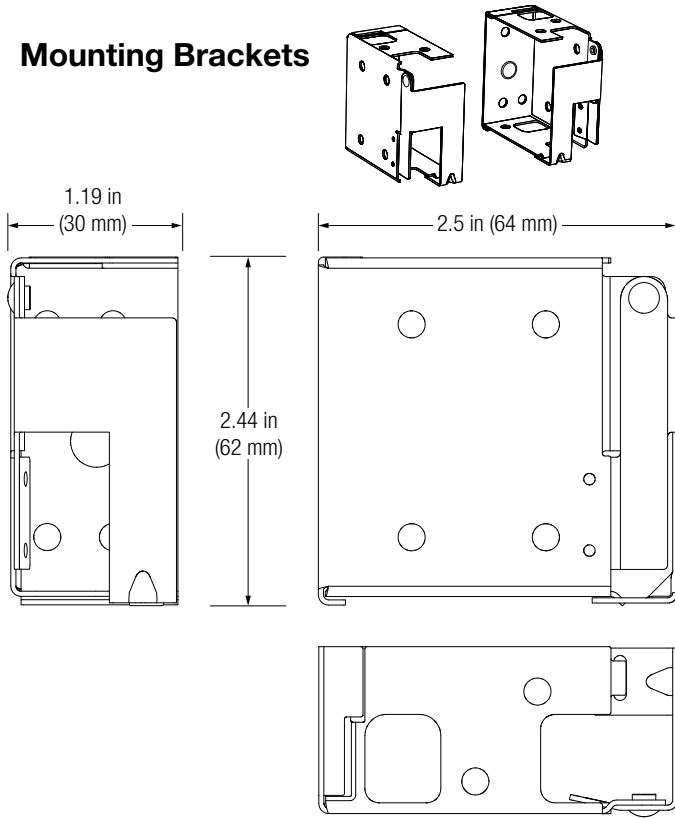
2 Blinds Under One Valance

Inside mount shown

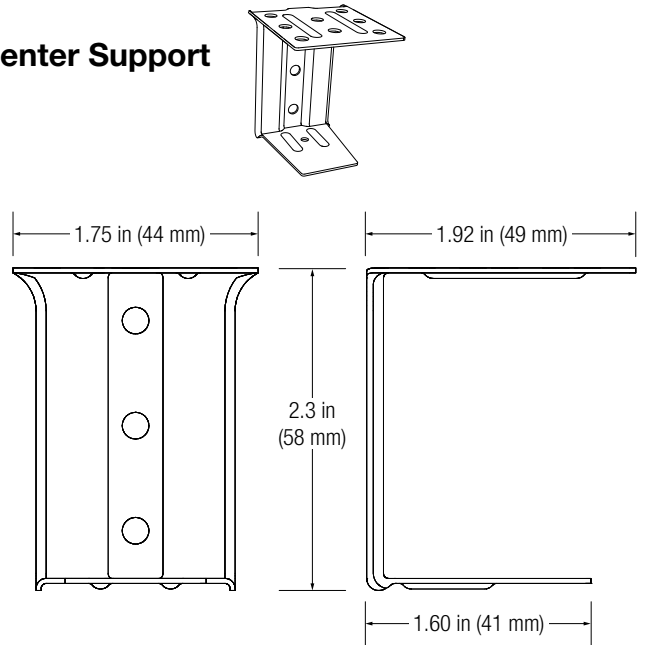


Job Name:	Model Numbers:
Job Number:	

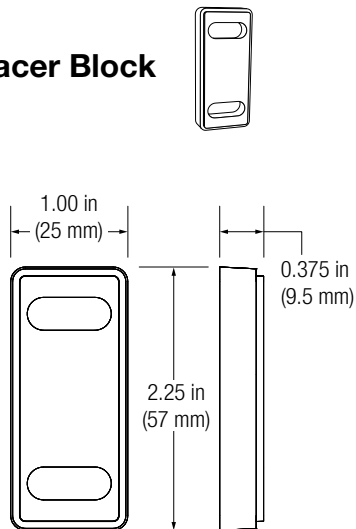
Mounting Brackets



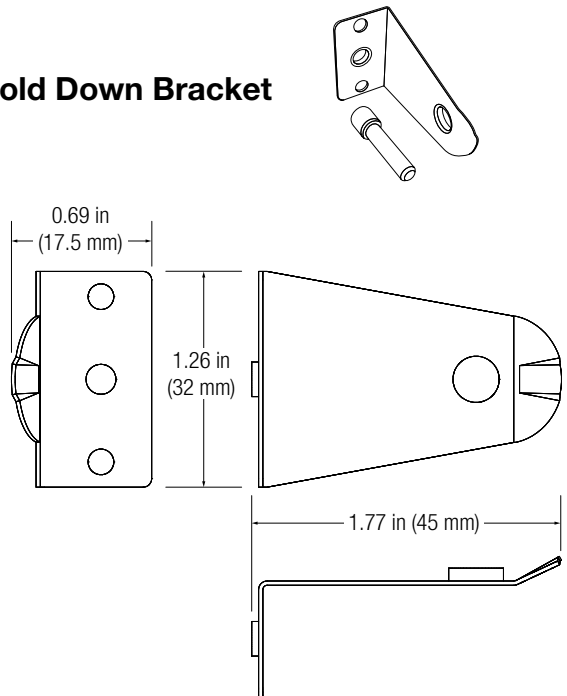
Center Support



Bracket Spacer Block



Hold Down Bracket

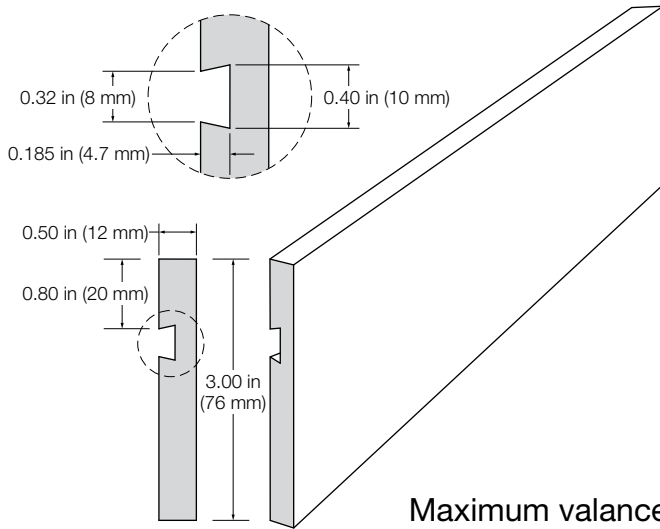


Job Name:	Model Numbers:
Job Number:	

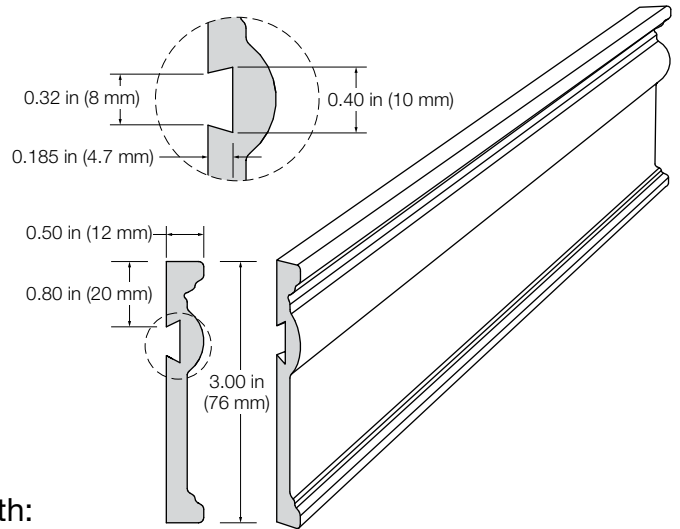
Valance options

2 valance styles are available for inside and outside mount applications.

Inside Mount



Morgan

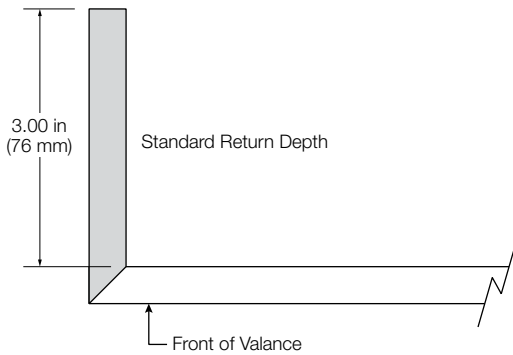


Easton

Maximum valance width:
96 in (2438 mm)

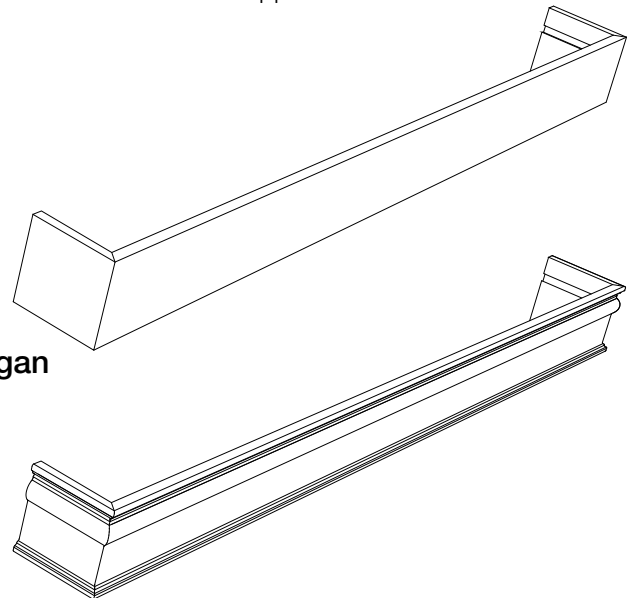
Valance With Returns

Valances may be specified with returns for outside mount and certain inside mount applications with partial recess. The standard return depth is 3.00 in (76.2 mm) measured from the back of the valance. Custom returns can be specified in any dimension between 0.5 in (12.7 mm) and 12 in (304.8 mm), to meet the needs of the application.



Morgan

Easton



Job Name:	Model Numbers:
Job Number:	

Power Options

Battery power

- Batteries are not included
- Quantity requirement varies with blind size

Blind Width	Batteries Required
20 in (508 mm) to 28 in (711 mm)	12 AA Lithium
28 1/8 in (714 mm) to 42 1/8 in (1070 mm)	4 D-Cell Alkaline
42 1/4 in (1073 mm) to 72 in (1829 mm)	8 D-Cell Alkaline
54 in (1372 mm) to 72 in (1829 mm) with Battery Boost option	12 D-Cell Alkaline

NOTES:

The width ranges shown above are for an outside-mount blind.

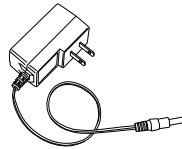
Install new batteries. Do not mix brands or types. A diagram on the battery holder shows correct orientation. Lutron recommends Energizer® Lithium AA batteries, and Duracell® or RAYOVAC® D-Cell Alkaline batteries.

Battery Boost option is available for blinds wider than 54 in (1372 mm). The Battery Boost feature adds (4) batteries for extended battery life in larger blinds and high-use applications.

To maintain performance specifications in buildings with 20 or more Lutron Radio Powr Savr Sensors, Lutron recommends powering blinds with a wired power supply.

Plug-in power supply

- Available separately.
- Blinds ordered with wired power include a 15 ft (4.5 m) power wire.



CSPS-P1-1-6-WH =

Power panel*

10-output power supply, CSPS-P1-10-6 available separately.

Input Voltage: 120-240 V~

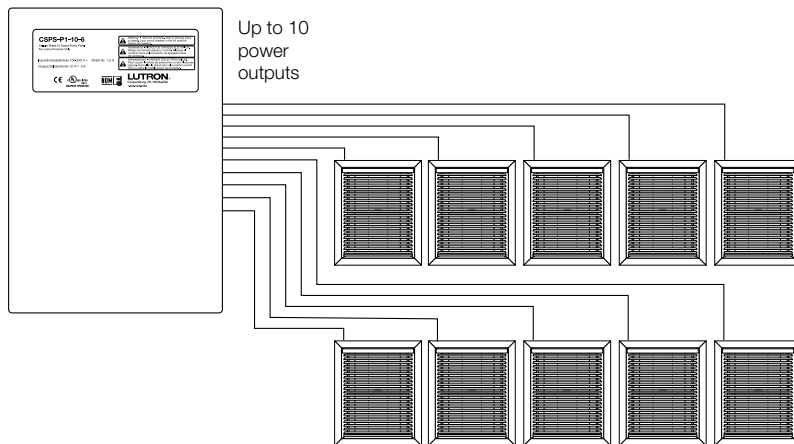
Max. input current: 1.5 A

Operating frequency:
50/60 Hz

Output Voltage: 12 V

Output Current: 5 A

ESD Protection: (+/-) 16 kV



* Secondary wiring must be of type CL2, CL2P, CL2R, CL2X or other cable with equivalent or better electrical, mechanical, and flammability ratings in accordance with local and national electric code.

Job Name:	Model Numbers:
Job Number:	